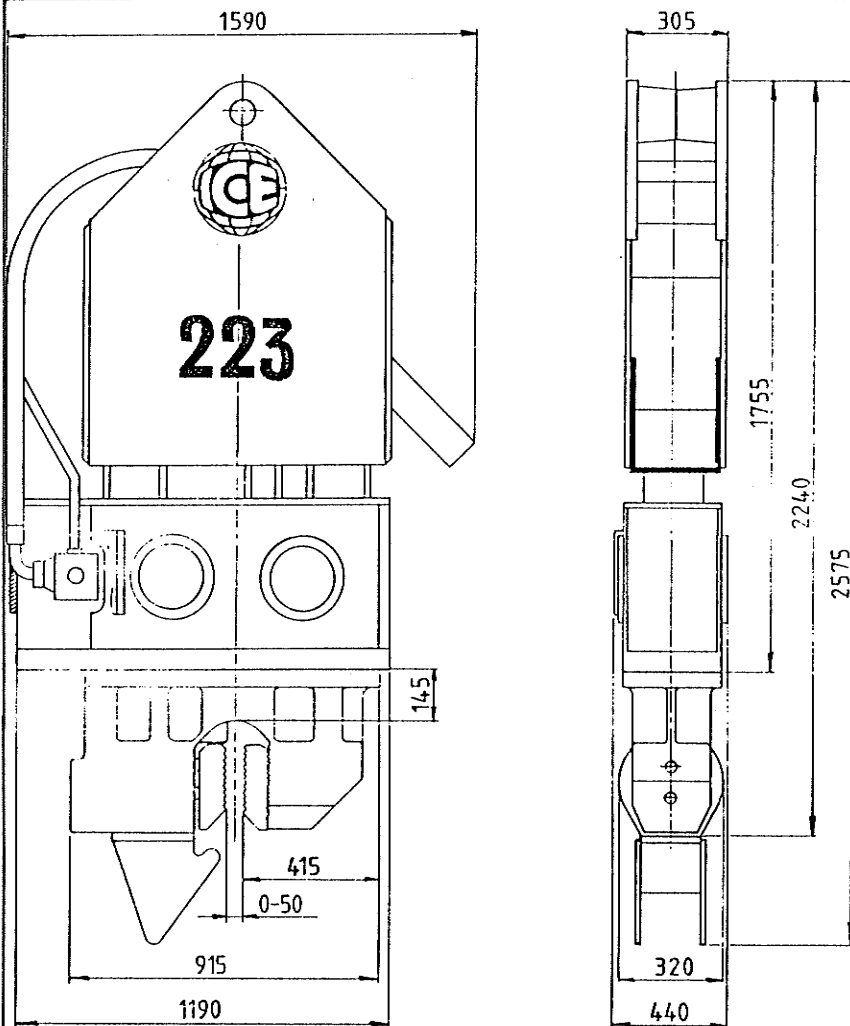




VIBRATORY
DRIVER/EXTRACTOR

OPERATING INSTRUCTIONS



Specifications

Eccentric moment	: 11,5 kgm
Max. centrifugal force	: 670 kN
Max. frequency	: 2300 rpm
Max. amplitude	: 12,6 mm
Max. hydraulic power	: 157/213 (kW/HP)
Pile clamping force	: 800 kN
Max. static line pull for extraction	: 250 kN
Max. oil flow	: 320 l/min
Max. pressure	: 300 bar
Total weight with clamp	: 2570 kg



VIBRATORY
DRIVER/EXTRACTOR

OPERATING INSTRUCTIONS

CONNECTION OF HYDRAULIC HOSES

