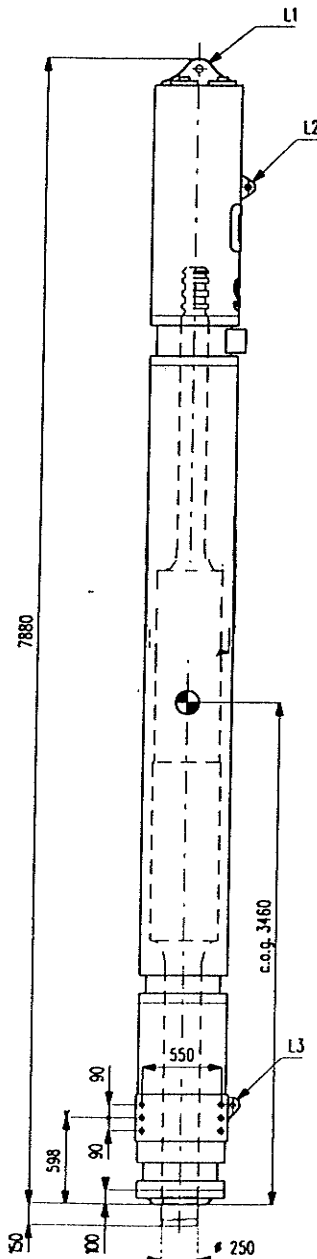
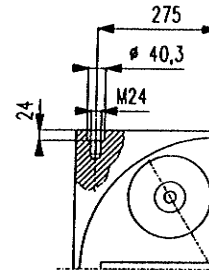
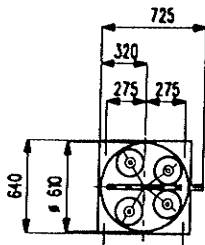




APPLICATION: Steel piles.

Code no. 85.11.00.05



Main dimensions

**Operating data**

Max. net energy/blow	90	kNm
Min. net energy/blow	2	kNm
Blow rate (max energy)	50	Blows/min

**Weights**

Ram	4,5	tons
Hammer (incl. Ram, in air)	9,2	tons

**Hydraulic data**

Operating pressure	280	bar
Max. pressure	350	bar
Max. oil flow	220	l/min

**Nitrogen filling pressure**

supply accumulator	140-160	bar
return accumulator	4 - 5	bar
Cap	12-15	bar

**Safety setting**

Cap	40	bar
-----	----	-----

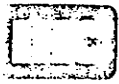
**Hose connections**

oil supply 1 1/4" (P)	M52x2	male
oil return 1 1/4" (R)	M52x2	male
Nitrogen to cap (CA)	R 3/4"	male

**Working Load Limit (WLL) and hole diameter**

L1	25 ton	Ø52 mm
L2	9 ton	Ø40 mm
L3	9 ton	Ø40 mm





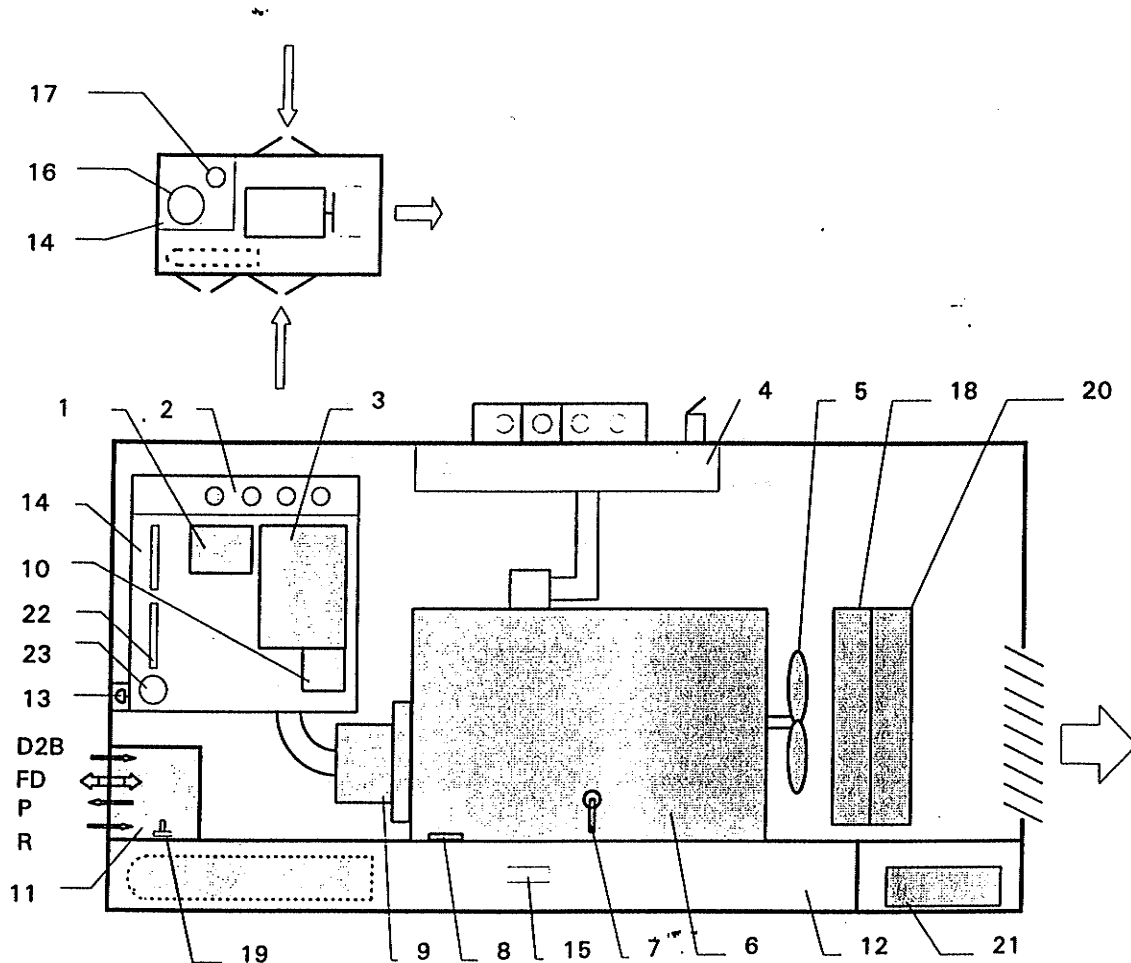
Hydrohammer bv

# Data sheet Powerpack P250 (B-series)

Equipment sheet no.	: 2.1.0250
revision	: B
date	: Aug.'97

APPLICATION: Hydrohammer S-70, S-90 and SC-50, SC-60.

Code no. 86.40.00.10



- |                               |                                       |                                       |
|-------------------------------|---------------------------------------|---------------------------------------|
| 1 Control box                 | 11 Hydraulic manifold                 | 19 Nitrogen bottle connection         |
| 2 Gauge panel                 | 12 Fuel tank                          | 20 Engine coolant radiator            |
| 3 Engine panel                | 13 Emergency stop button              | 21 Battery                            |
| 4 Exhaust silencer            | 14 Hydraulic oil reservoir            | 22 Level gauges (hydr. oil reservoir) |
| 5 Cooling fan                 | 15 CE identification plate            | 23 Temp. indicator (hydr. oil)        |
| 6 Diesel engine               | 16 Cover, manhole hydr. oil reservoir | Hydraulic hoses:                      |
| 7 Battery main switch         | 17 Cover, return filter               | P Supply to hammer                    |
| 8 Level indicator (fuel tank) | 18 Hydraulic oil radiator             | R Return from hammer                  |
| 9 Hydraulic pump              |                                       | FD Nitrogen to cap/ cap drain         |
| 10 Return filter              |                                       | D2B Drain leakage chamber             |

### Technical specifications and data:

Max. ambient temperature 35 °C

#### Container

Net weight	approx. 3.600 kg
Weight incl. Fuel and oil	approx. 5.000 kg
Dimensions l x w x h	3500 x 1300 x 1850 mm
Capacity of fuel tank	approx. 650 litres
Capacity of hydraulic oil tank	approx. 700 litres
Hydraulic oil	Hydrelf DS 32 or equal

#### Diesel engine

Make / model / type	Volvo Penta / TD71A / four stroke cycle, 6 cylinder in line, water cooled, turbocharged
Rated engine output	167 kW (at 2400 rpm)
Starting system	24V battery system (115 Ah)
Cooling system	closed loop coolant, aircooled by radiator

#### Hydraulic pump

Pump make / model	Poclair / L6H14 32 cc.
Pump capacity / Rated pressure	250 l/m / 350 bar
Pump capacity control	50 / 75 / 100 %

#### Hose connections

2x 1 1/2" for hydraulic hoses and 1x 1/2" for air to cap

#### Cooling system

Combined radiator for hydraulic oil and engine coolant.

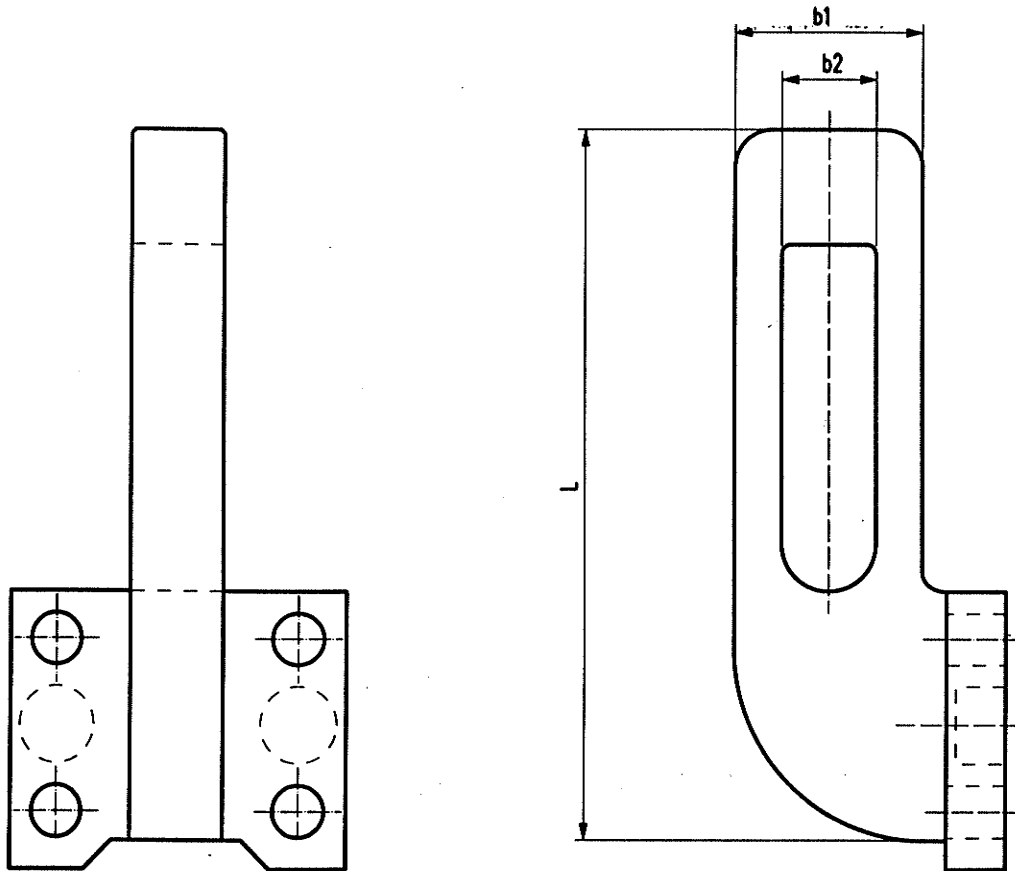


# Data sheet Lifting eye

Equipment sheet no. : 4.7.0400  
revision : 0  
date : Oct., '97

APPLICATION: For Lifting and lowering of leader guided Hydrohammer's, see table

Code no. see table



Lifting eye Code no.	Hydrohammer Type	Dimensions l x b <sub>1</sub> x b <sub>2</sub> (mm)	Weight (kg)	Working Load Limit WLL (ton)
86 14 03 14	S-35/S-70/S-90	415 x 100 x 60	35	?
86 14 02 15	SC-30/SC-40/SC-50	370 x 100 x 50	16	?
86 14 05 29	SC-110/SC-150	700 x 160 x 80	60	30
86 14 05 27	SC-150/SC-200	575 x 180 x 80	73	35
86 14 05 35	SC-110/SC-150/SC-200	710 x 180 x 80	80	35